

Purge Control Solenoid Valve

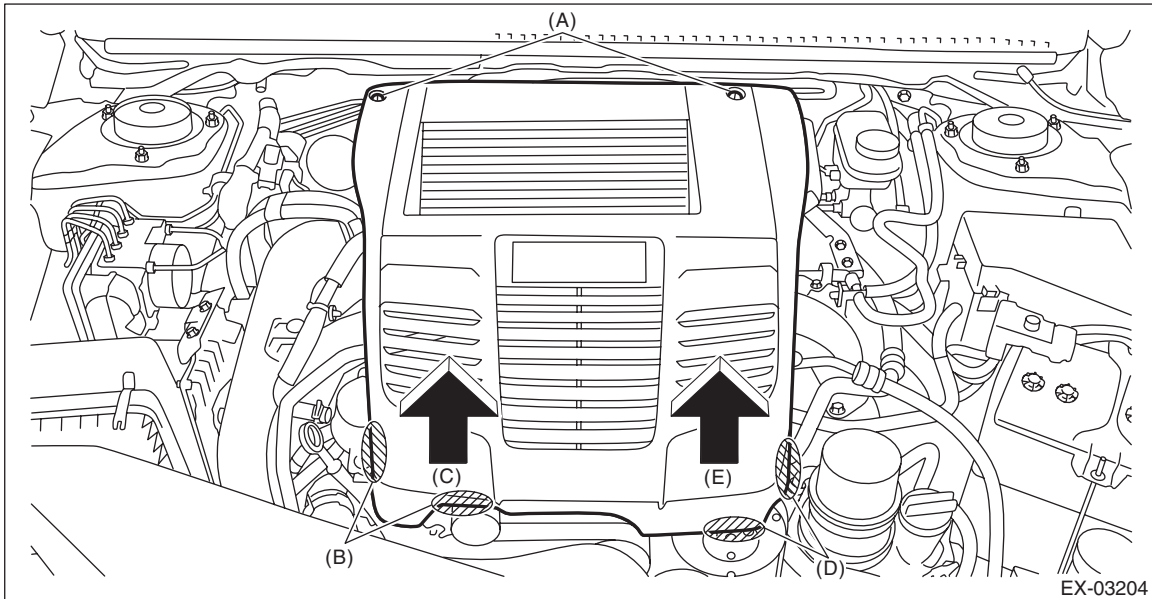
EMISSION CONTROL (AUX. EMISSION CONTROL DEVICES)

5. Purge Control Solenoid Valve

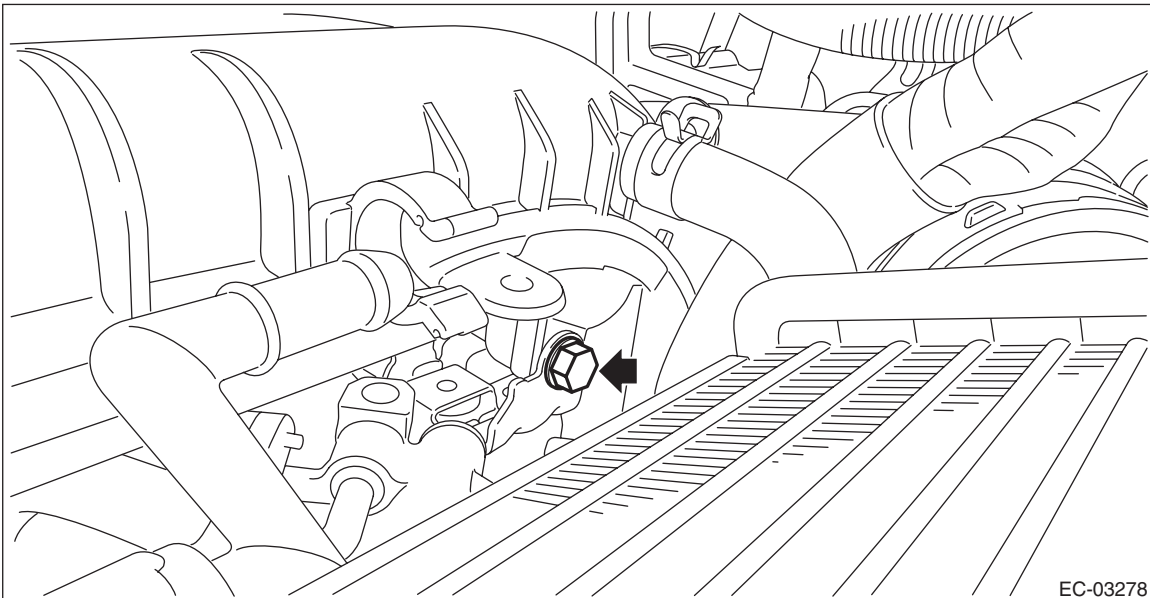
A: REMOVAL

1. PURGE CONTROL SOLENOID VALVE 1

- 1) Remove the collector cover.
 - (1) Remove the clips (A).
 - (2) Hold the shaded area (B) by hand and carefully pull the RH side (C) upward.
 - (3) Hold the shaded area (D) by hand and carefully pull the LH side (E) upward.



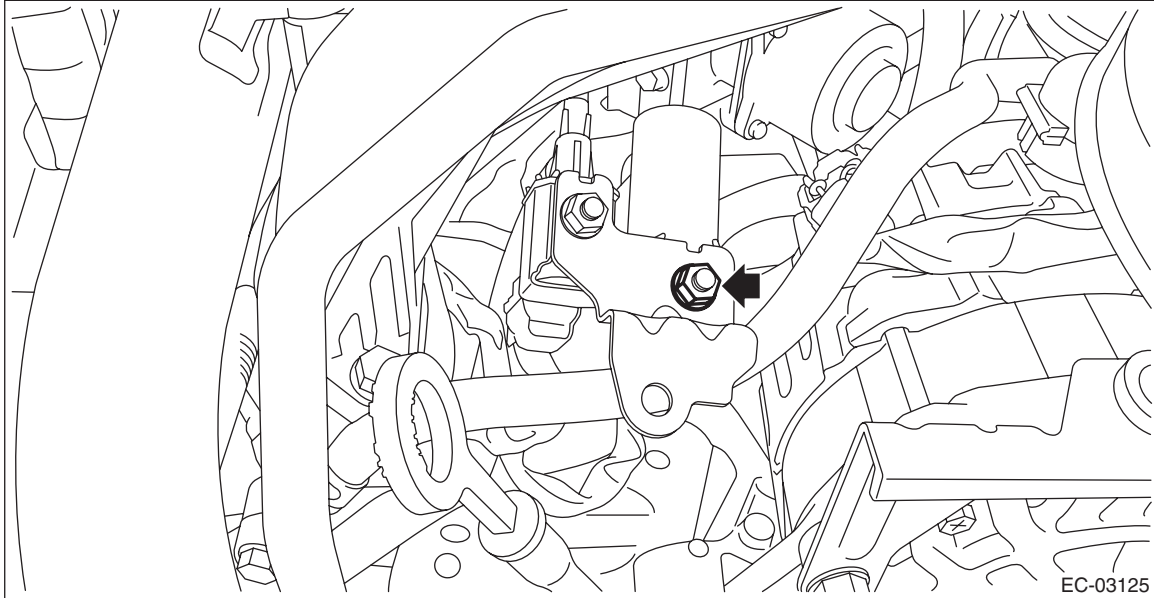
- 2) Disconnect the ground terminal from battery sensor. <Ref. to NT-5, BATTERY, NOTE, Note.>
- 3) Remove the brake vacuum pump. <Ref. to BR-81, REMOVAL, Brake Vacuum Pump.>
- 4) Remove the bolt which secures the solenoid valve bracket from the intake manifold.



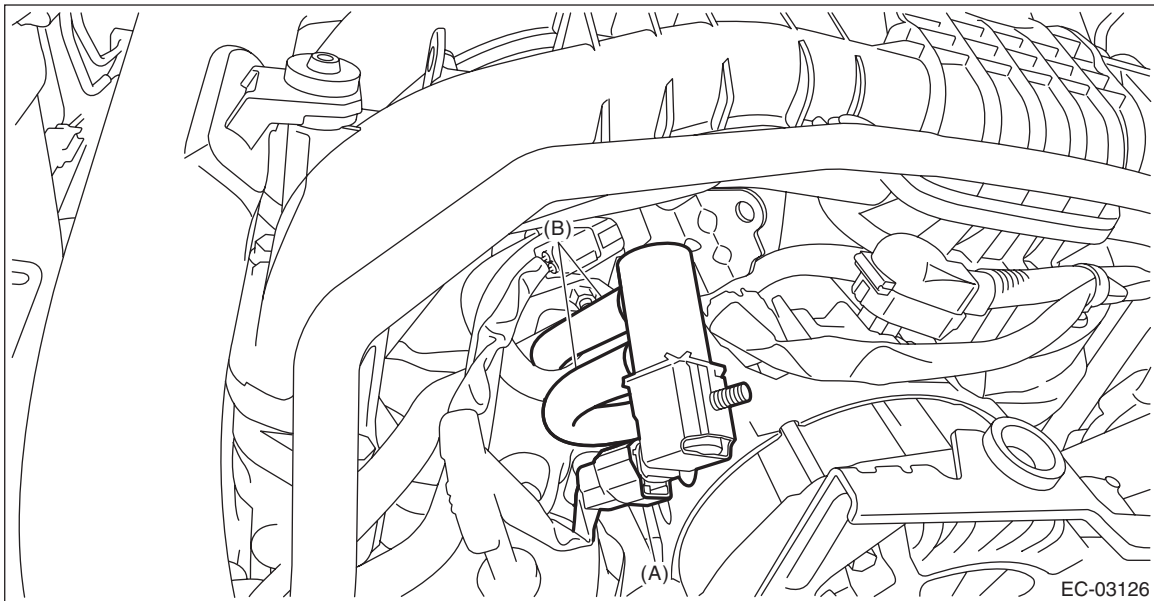
Purge Control Solenoid Valve

EMISSION CONTROL (AUX. EMISSION CONTROL DEVICES)

- 5) Remove the nut which secures the purge control solenoid valve 1 to the solenoid valve bracket.



- 6) Disconnect the connector (A) and vacuum hose (B) from the purge control solenoid valve 1, and remove the purge control solenoid valve 1.



Purge Control Solenoid Valve

EMISSION CONTROL (AUX. EMISSION CONTROL DEVICES)

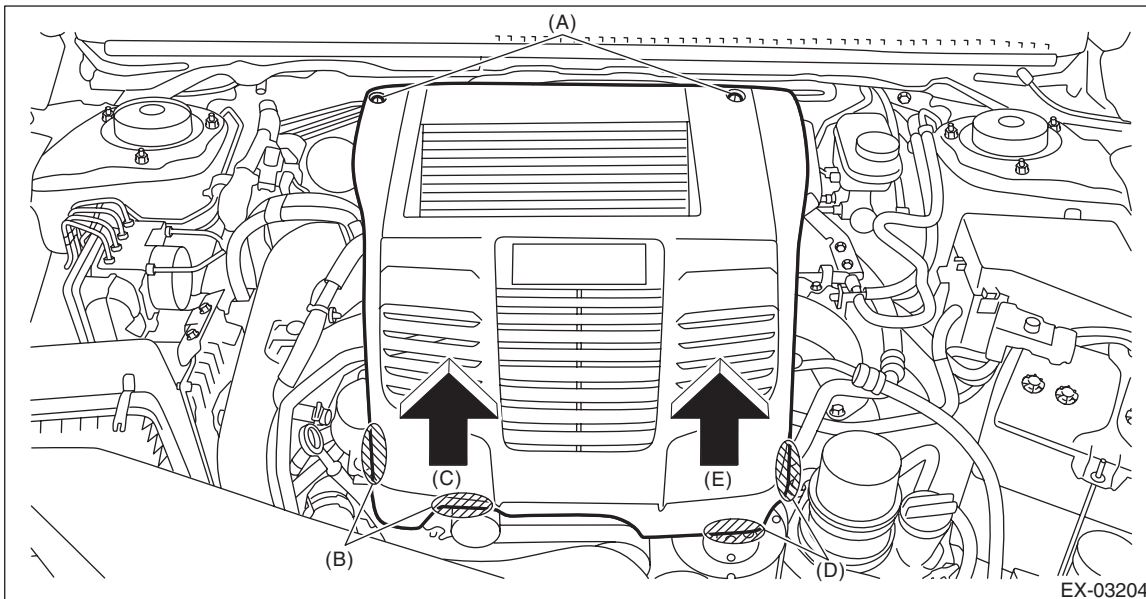
2. PURGE CONTROL SOLENOID VALVE 2

1) Remove the collector cover.

(1) Remove the clips (A).

(2) Hold the shaded area (B) by hand and carefully pull the RH side (C) upward.

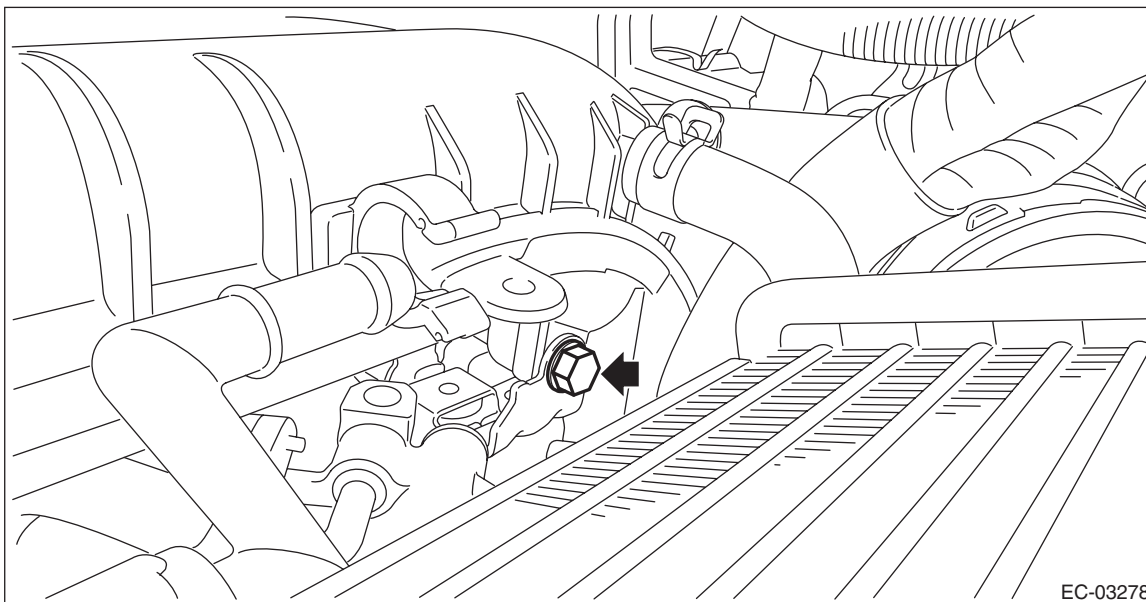
(3) Hold the shaded area (D) by hand and carefully pull the LH side (E) upward.



2) Disconnect the ground terminal from battery sensor. <Ref. to NT-5, BATTERY, NOTE, Note.>

3) Remove the brake vacuum pump. <Ref. to BR-81, REMOVAL, Brake Vacuum Pump.>

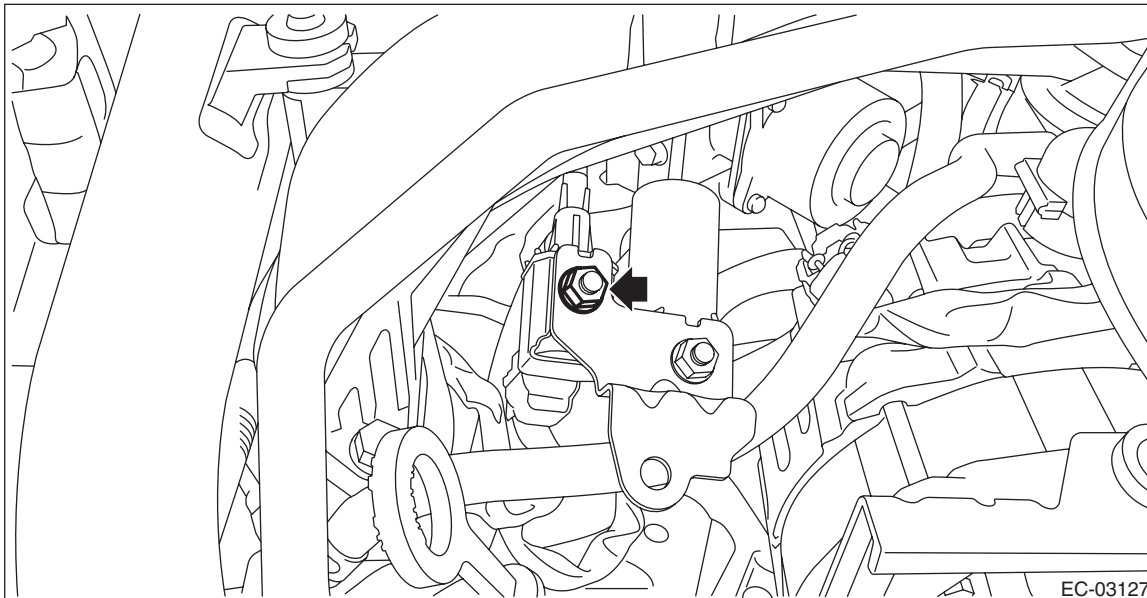
4) Remove the bolt which secures the solenoid valve bracket from the intake manifold.



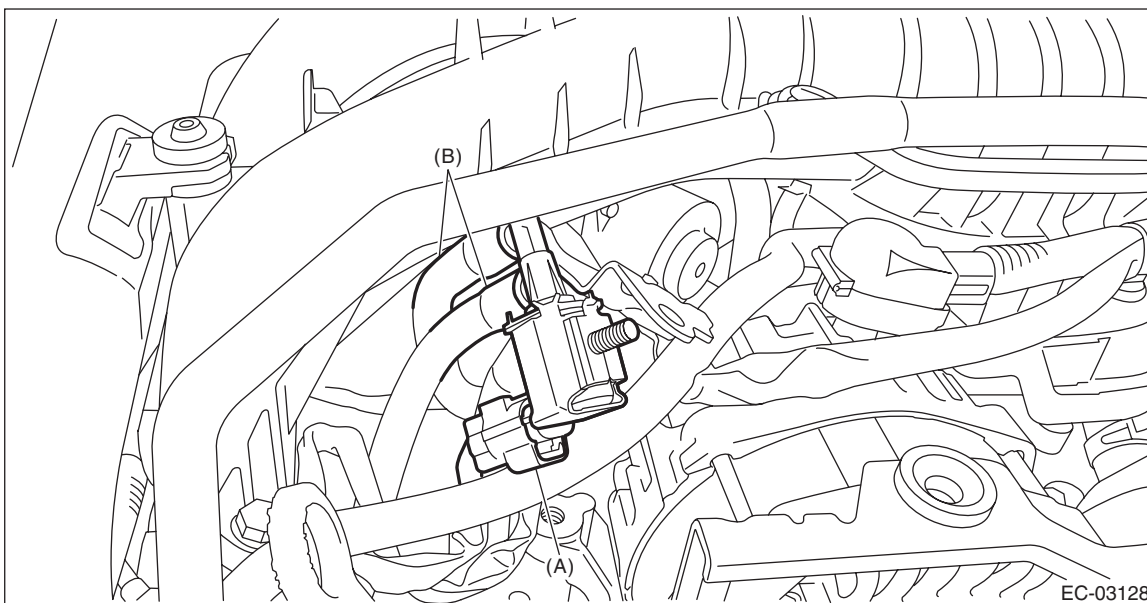
Purge Control Solenoid Valve

EMISSION CONTROL (AUX. EMISSION CONTROL DEVICES)

- 5) Remove the nut which secures the purge control solenoid valve 2 to the solenoid valve bracket.



- 6) Disconnect the connector (A) and vacuum hose (B) from the purge control solenoid valve 2, and remove the purge control solenoid valve 2.



Purge Control Solenoid Valve

EMISSION CONTROL (AUX. EMISSION CONTROL DEVICES)

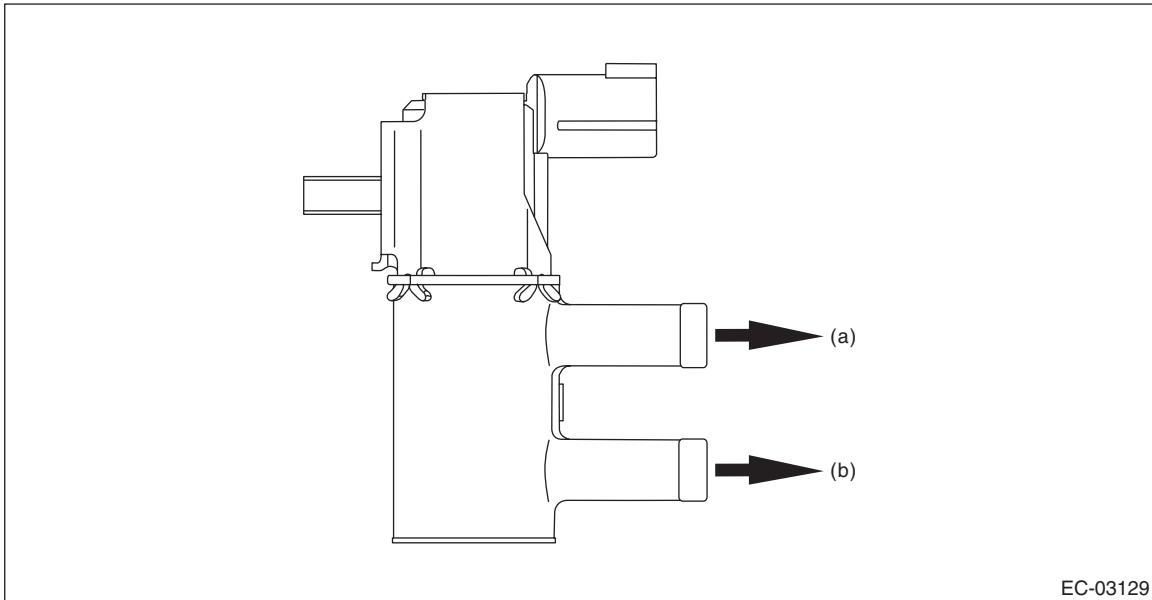
B: INSTALLATION

1. PURGE CONTROL SOLENOID VALVE 1

Install in the reverse order of removal.

NOTE:

Connect the vacuum hose as shown in the figure.

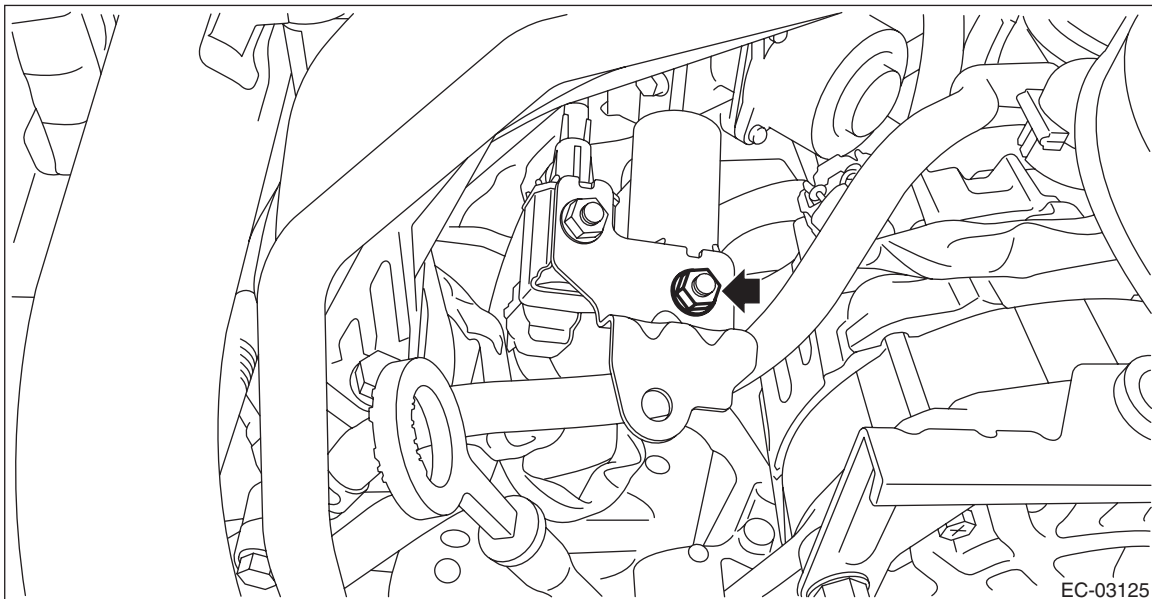


(a) To intake manifold

(b) To fuel pipe

Tightening torque:

6.4 N·m (0.7 kgf-m, 4.7 ft-lb)

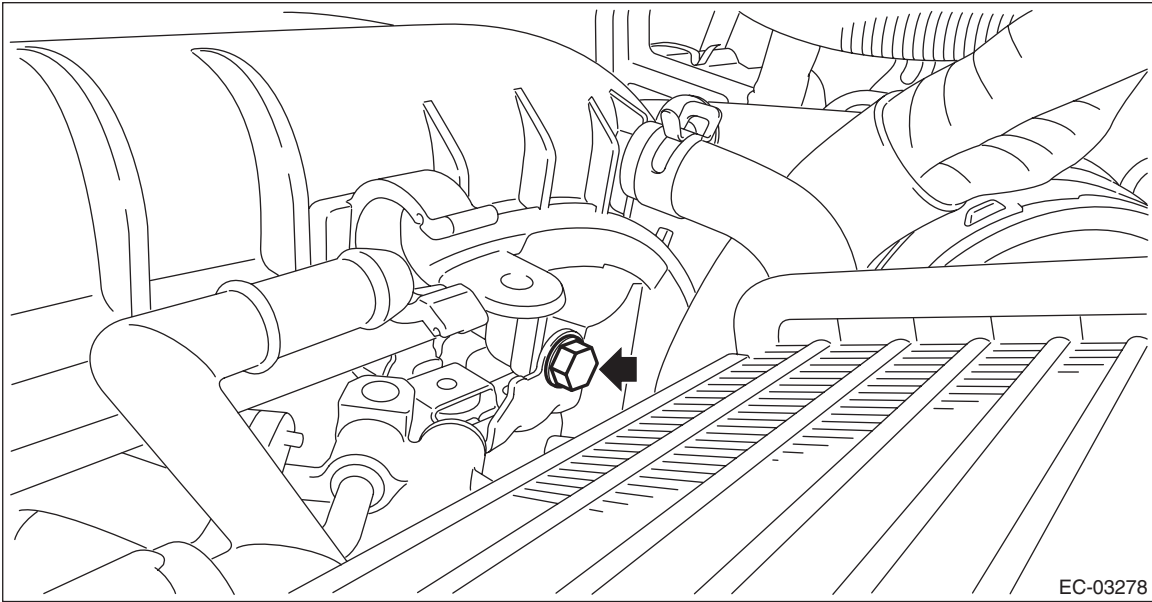


Purge Control Solenoid Valve

EMISSION CONTROL (AUX. EMISSION CONTROL DEVICES)

Tightening torque:

19 N·m (1.9 kgf·m, 14.0 ft·lb)

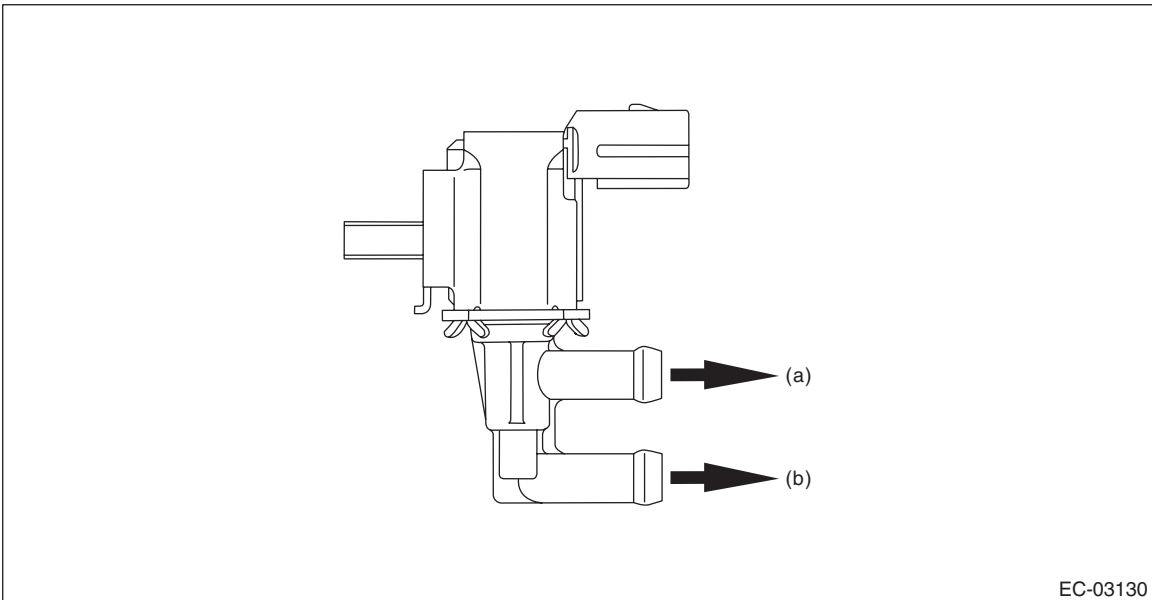


2. PURGE CONTROL SOLENOID VALVE 2

Install in the reverse order of removal.

NOTE:

Connect the vacuum hose as shown in the figure.



(a) To intake duct

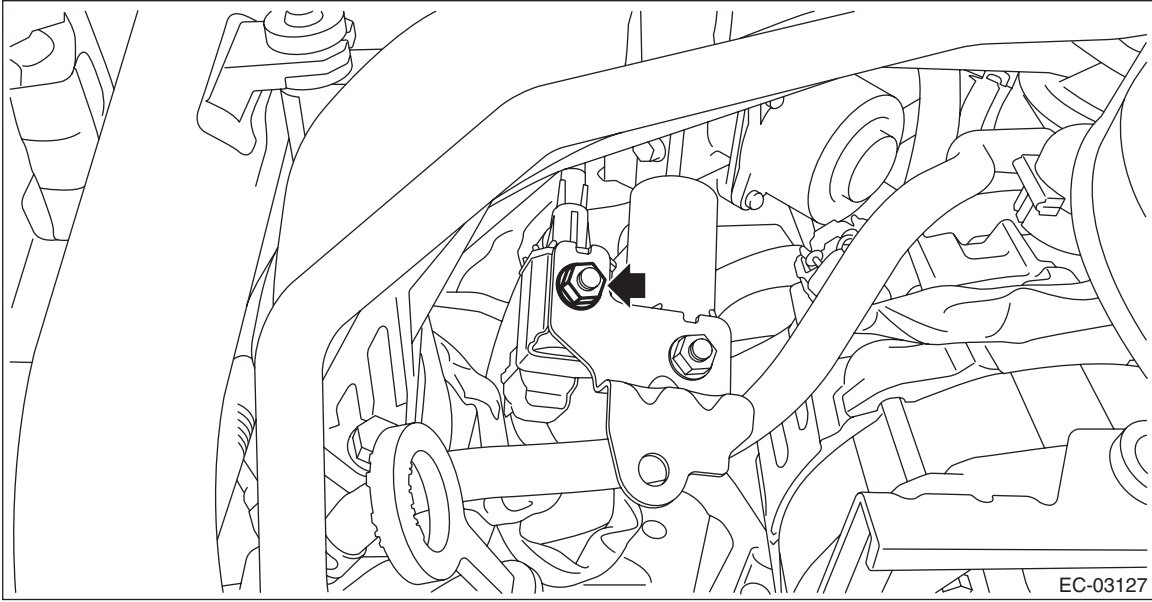
(b) To fuel pipe

Purge Control Solenoid Valve

EMISSION CONTROL (AUX. EMISSION CONTROL DEVICES)

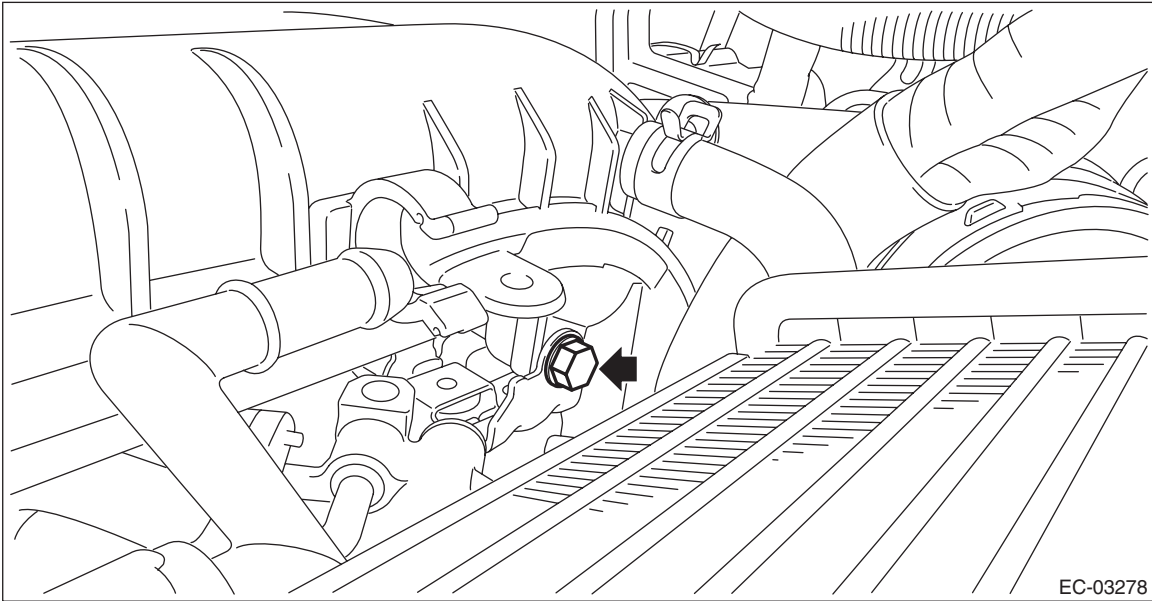
Tightening torque:

6.4 N·m (0.7 kgf·m, 4.7 ft·lb)



Tightening torque:

19 N·m (1.9 kgf·m, 14.0 ft·lb)



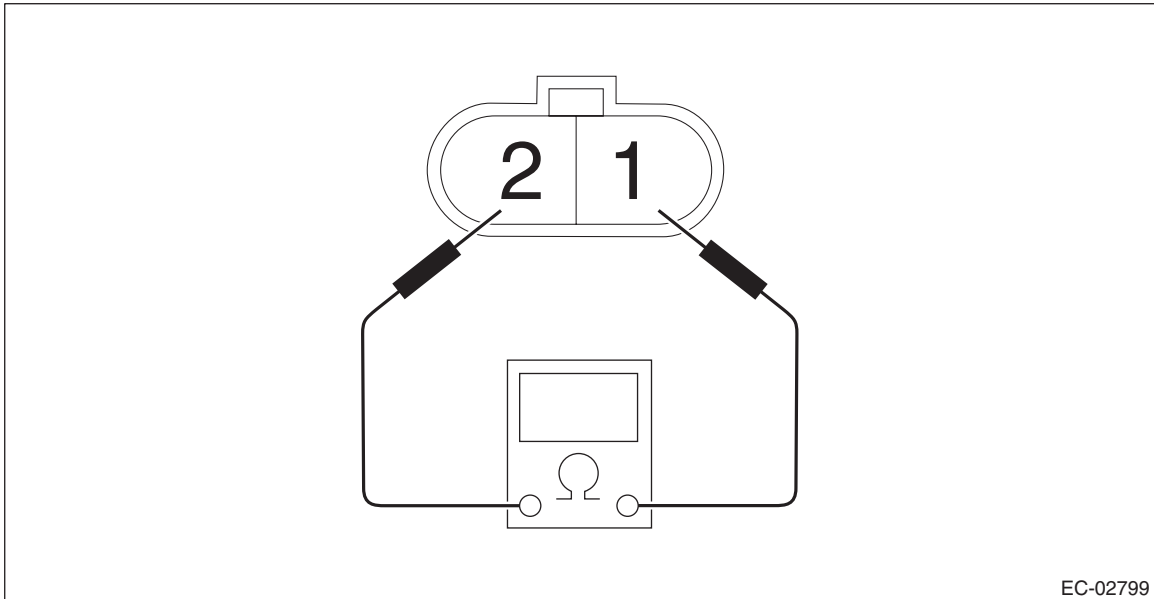
Purge Control Solenoid Valve

EMISSION CONTROL (AUX. EMISSION CONTROL DEVICES)

C: INSPECTION

1. PURGE CONTROL SOLENOID VALVE

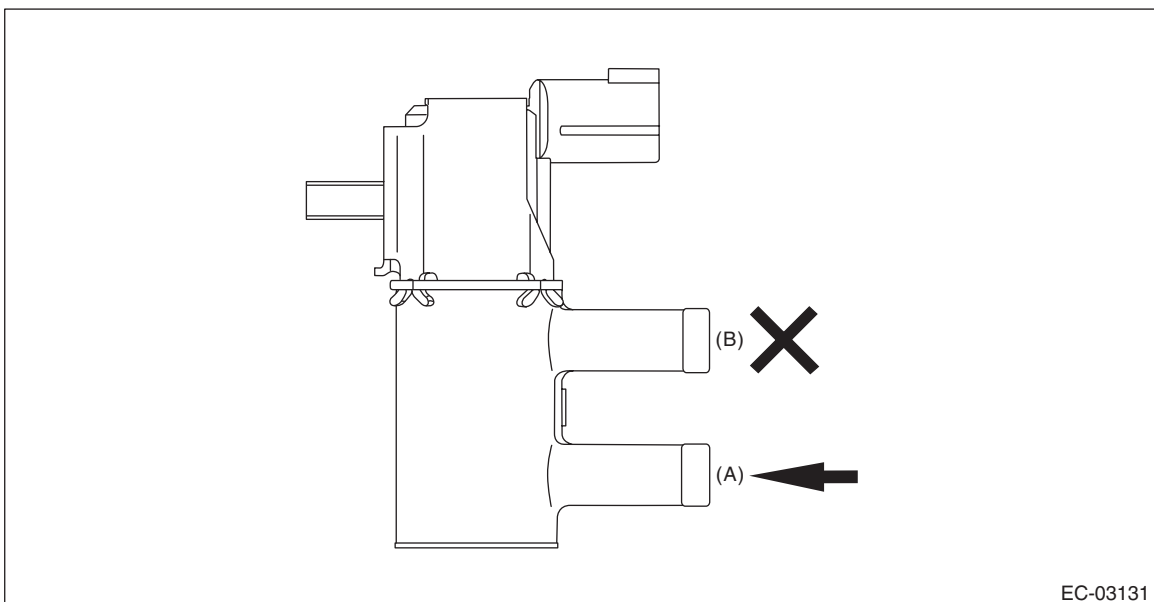
- 1) Check that the purge control solenoid valve has no deformation, cracks or other damages.
- 2) Measure the resistance between the purge control solenoid valve terminals.



EC-02799

Terminal No.	Standard
1 and 2	$24 \pm 3 \Omega$ (20°C (68°F))

- 3) Check that air does not come out from (B) when air is blown into (A).
- Purge control solenoid valve 1

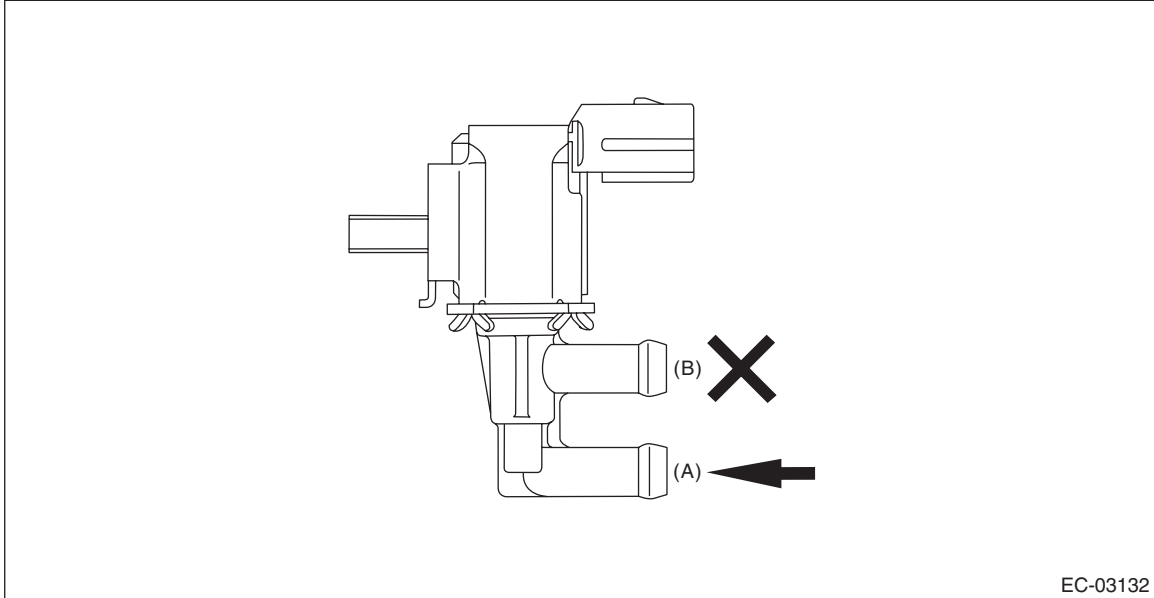


EC-03131

Purge Control Solenoid Valve

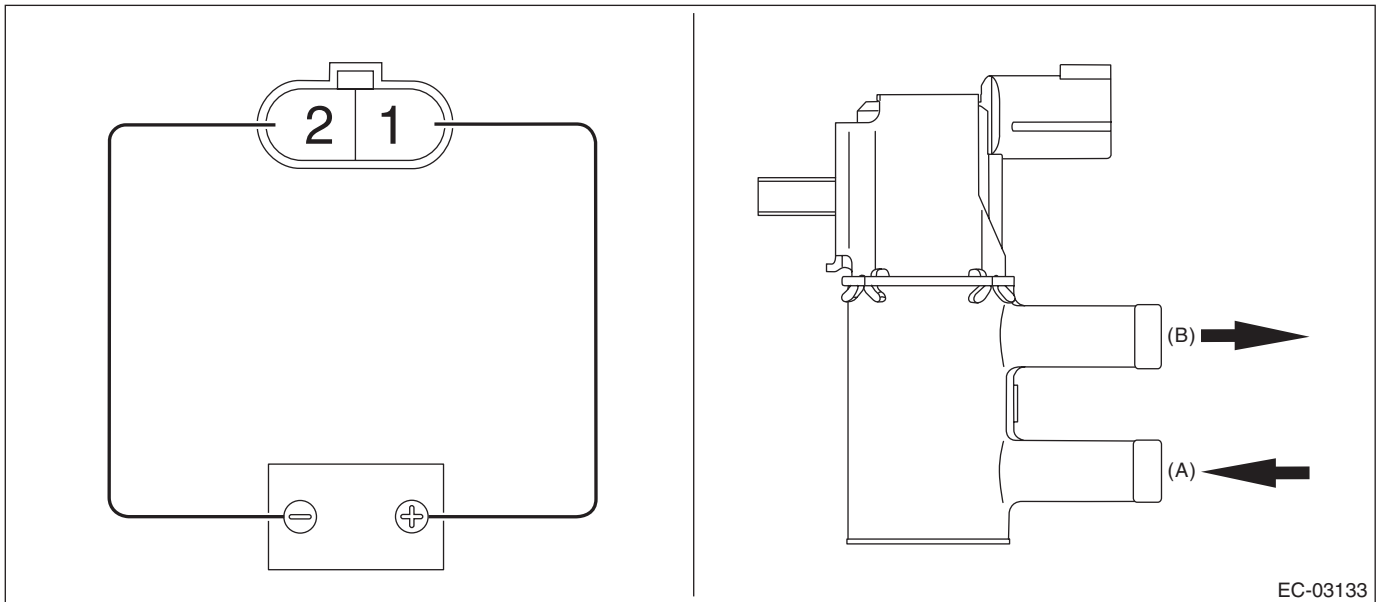
EMISSION CONTROL (AUX. EMISSION CONTROL DEVICES)

- Purge control solenoid valve 2



4) Connect the battery positive terminal to the terminal No. 1 and the battery negative terminal to the terminal No. 2. Check that air is discharged from (B), when supplying air to (A).

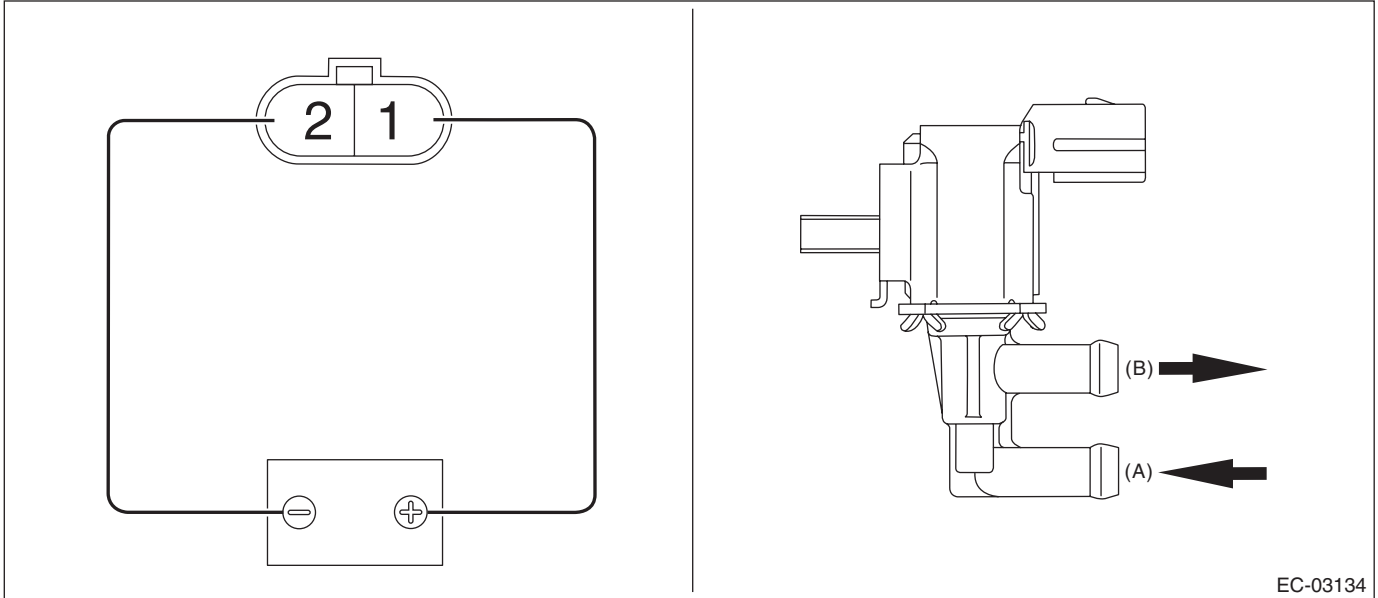
- Purge control solenoid valve 1



Purge Control Solenoid Valve

EMISSION CONTROL (AUX. EMISSION CONTROL DEVICES)

- Purge control solenoid valve 2



2. OTHER INSPECTIONS

Check the vacuum hose for cracks, damage or looseness.